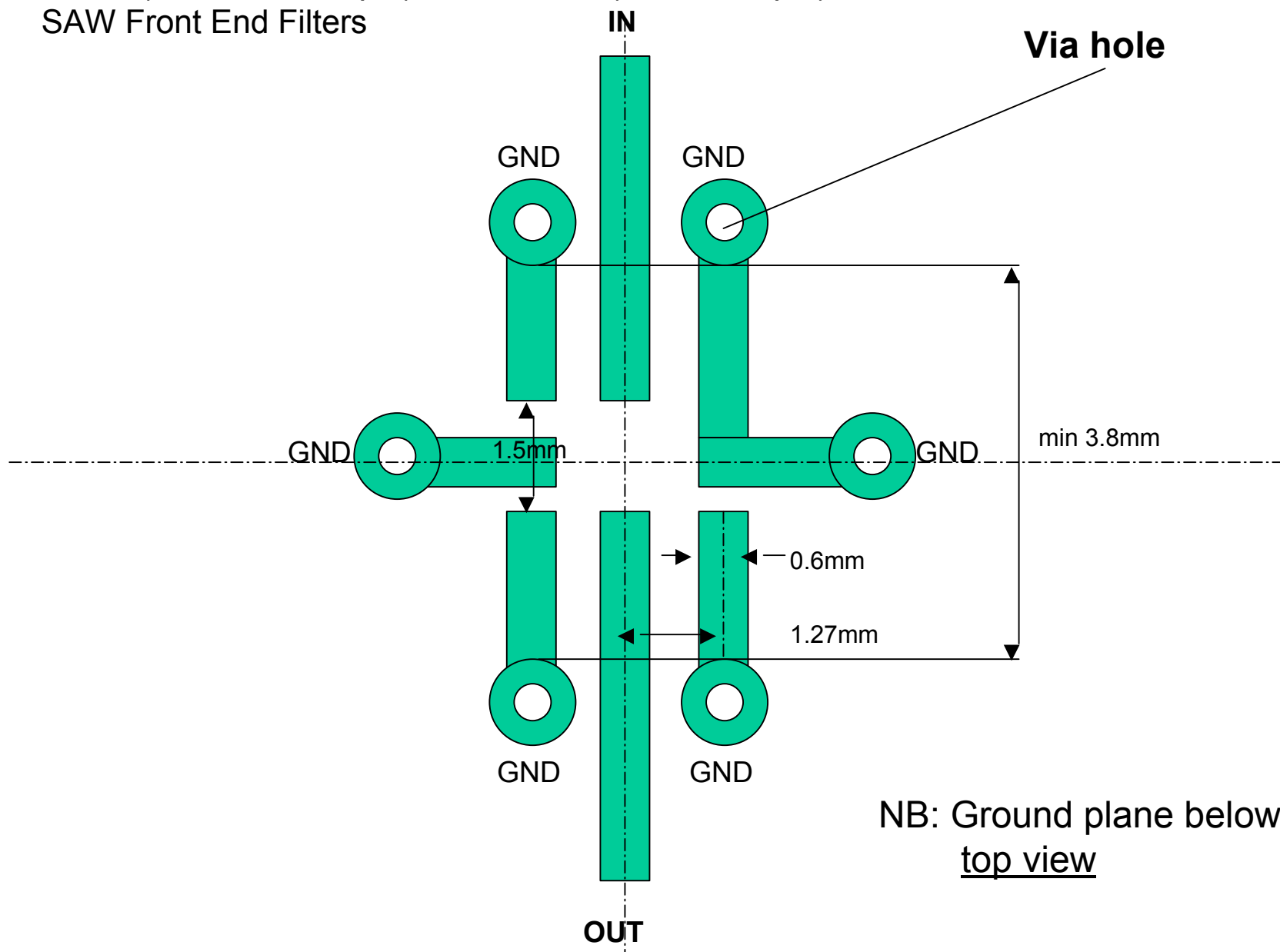


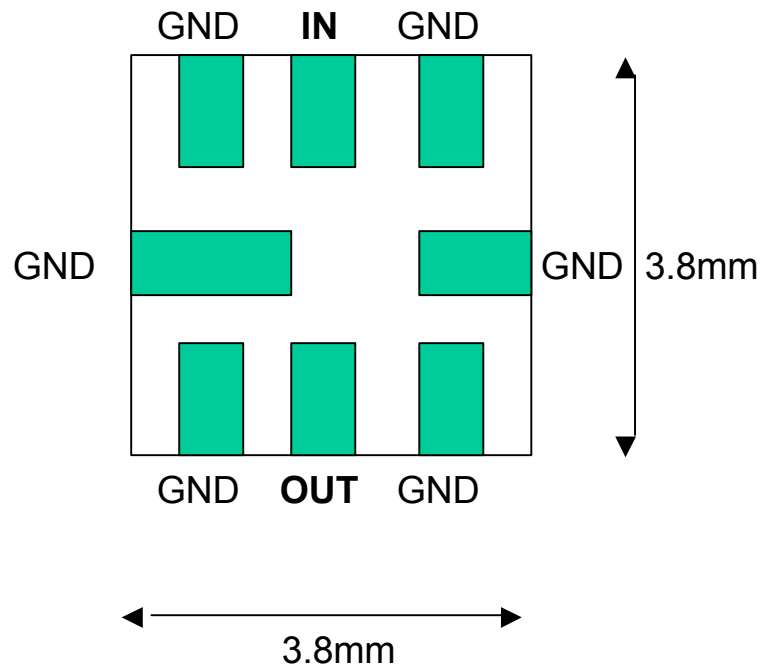
Application Note: Combination layout for QCC8B (3.8x3.8mm, 8 pin),
 DCC6 (3.8x3.8mm, 6 pin) and DCC6C (3x3mm, 6 pin)
 SAW Front End Filters



Application Note: Combination layout for QCC8B (3.8x3.8mm, 8 pin),
DCC6 (3.8x3.8mm, 6 pin) and DCC6C (3x3mm, 6 pin)
SAW Front End Filters



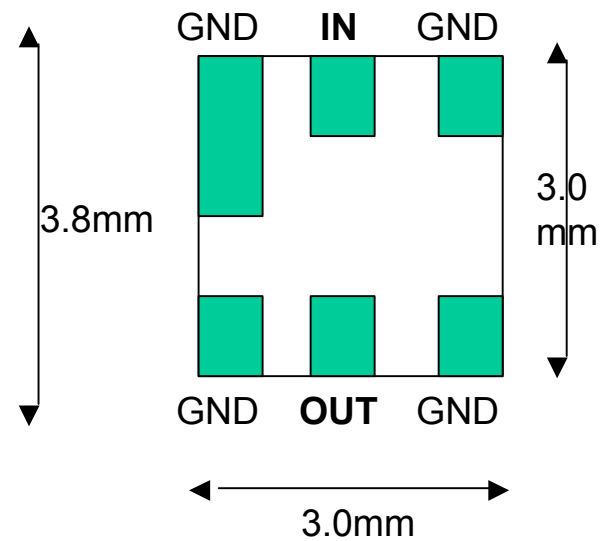
QCC8B



DCC6



DCC6C

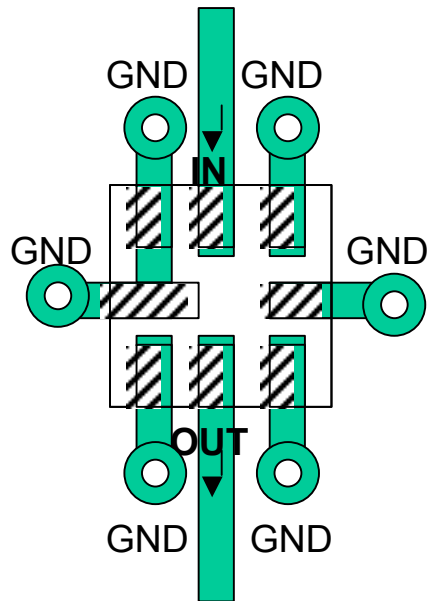


NB: bottom view

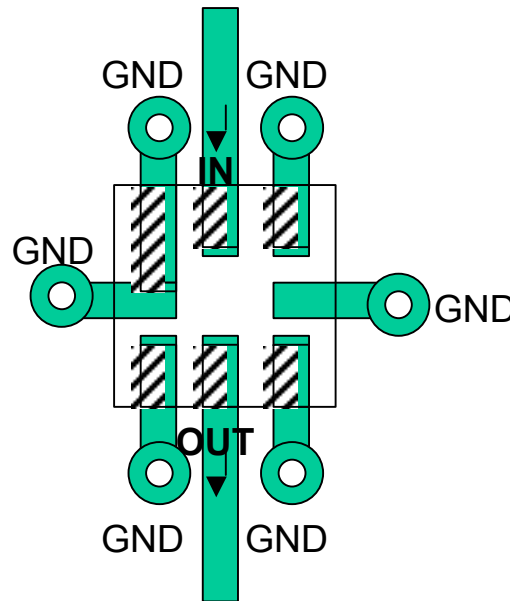
Application Note: Combination layout for QCC8B (3.8x3.8mm, 8 pin),
DCC6 (3.8x3.8mm, 6 pin) and DCC6C (3x3mm, 6 pin)
SAW Front End Filters



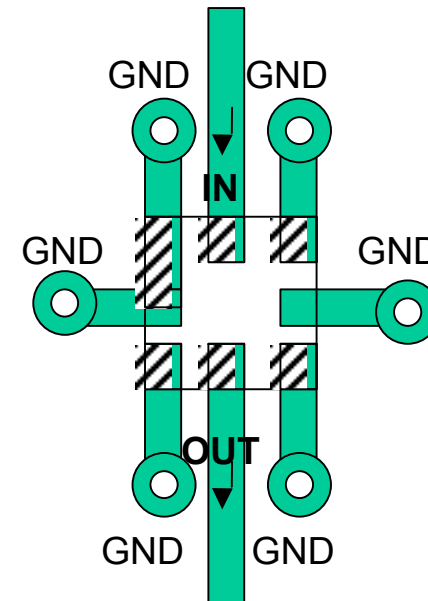
QCC8B



DCC6



DCC6C



NB: Ground plane below,
bottom view